

AUTOMATIC ALTERNATING HIGH PRESSURE GATE

Features

Sizes 4" through 14" diameter available

Cast aluminum housing, with a 3" overall flange width

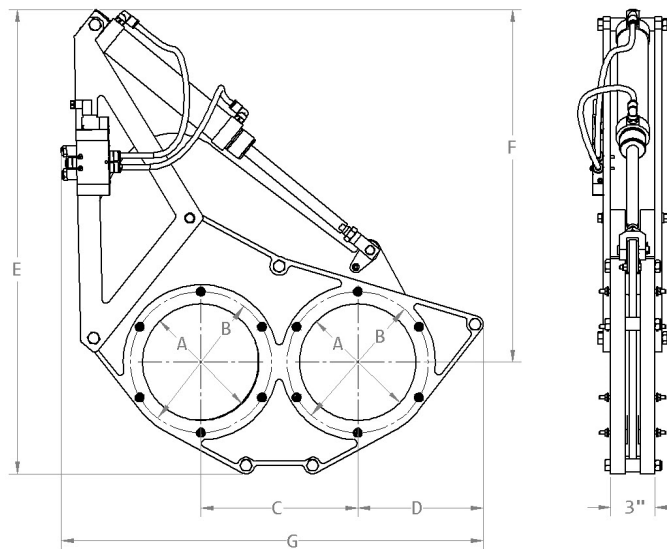
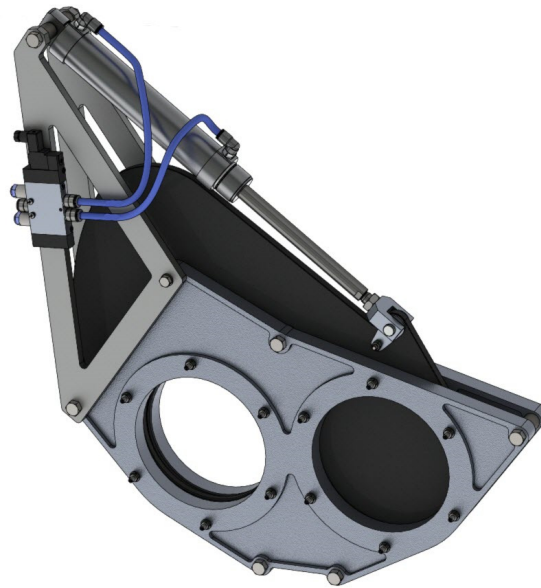
Self cleaning design.
Rated up to 50" W.G.

Rated up to 250°F

Power Requirements

115V or 24V

70 PSI compressed air supply



Available Services

- System Integration
- Industrial Ventilation
- Material Handling
- Power & Controls
- Manufacturing

For more information on any of our products or services - please visit us on the Web at:

www.steimelmetalfab.com

MODEL	A	B	C	D	E	F	G
620210	4"	5-5/16"	6-3/16"	4-1/2"	17"	14"	21"
620170	6"	7-5/16"	8-1/4"	5"	24"	19"	25"
620130	8"	9-9/16"	10-5/8"	8-1/2"	31"	24"	29"
620139	10"	11-1/2"	13-3/8"	10"	38"	29"	33"
620230	12"	14"	15-1/4"	9-3/4"	45"	34"	37"
620240	14"	16"	17-1/4"	11"	52"	39"	41"

SME
STEIMEL METAL FAB, LLC.

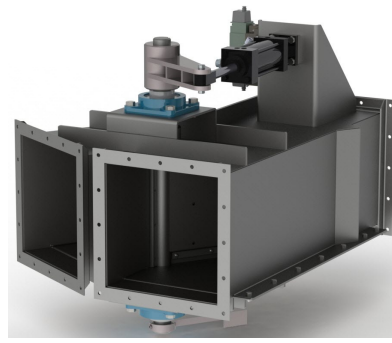
Hamilton, OH (513) 616-8647
Steimelmetalfab.com



HIGH PRESSURE
BLAST GATES



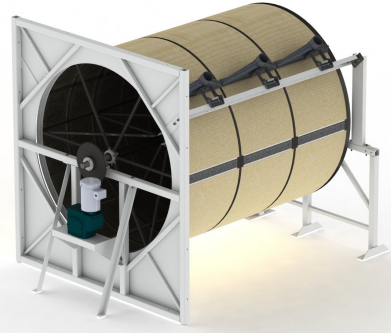
HIGH PRESSURE
ALTERNATING GATES



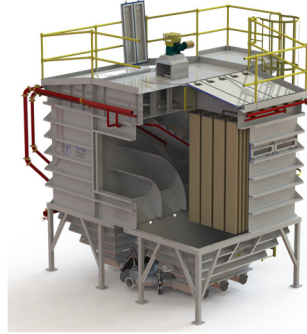
DIVERTER
VALVES



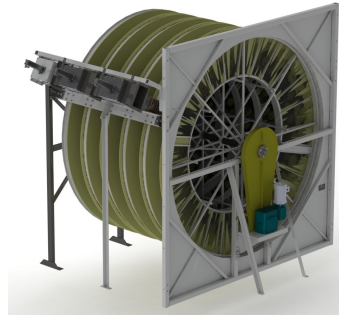
BALANCING
SLIDE GATES



VACU-DRUM
FILTERS



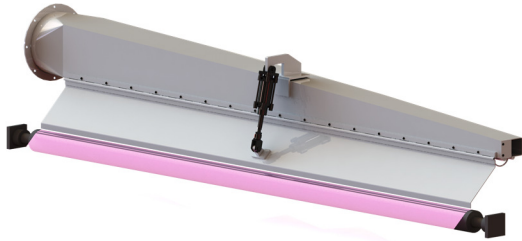
REVERSE AIR
CLEANING FILTERS



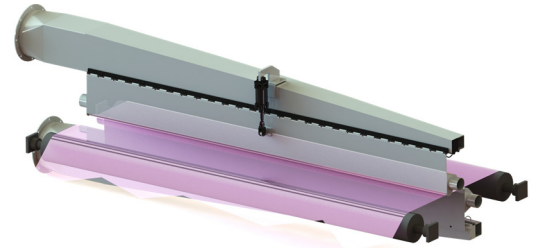
CIRCLE-VEE
FILTERS



BAG
FILTERS



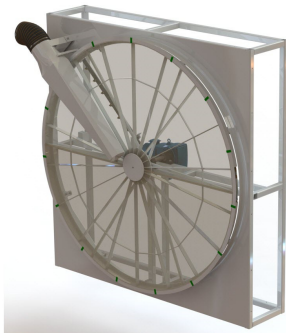
DUST COLLECTION
HOODS



WEB CLEANING
COLLECTION SYSTEMS



CIRCULAR
PULSE JET FILTERS



PRE-SEPARATOR
FILTERS



OVERHEAD OSCILLATING
AIR CIRCULATION FANS



QUICK OPENING
ACCESS DOORS

SME
STEIMEL METAL FAB, LLC.

Hamilton, OH (513) 616-8647
Steimelmetalfab.com