

Features

Standard bag is 24" Diameter x 108" long.

Typical 1,000 CFM maximum air flow per bag. The total unit volume is determined by number of bags.

Several types of bag filter materials are available for all types of applications

Available with optional auto-gates for clean-out when unit is in service for uninterrupted operation

Clean air is returned back into the operation room lessening the impact on your HVAC System

Unit is supplied with an analog gauge to indicate differential pressure to determine when bags need to be emptied

Available Services

- System Integration
- Industrial Ventilation
- Material Handling
- Power & Controls
- Manufacturing

For more information on any of our products or services - please visit us on the Web at:

BAG COLLECTION FILTER UNITS



The **ATMOS360** Bag Collection Filter units offer an economical solution for systems requiring a small operating volume.

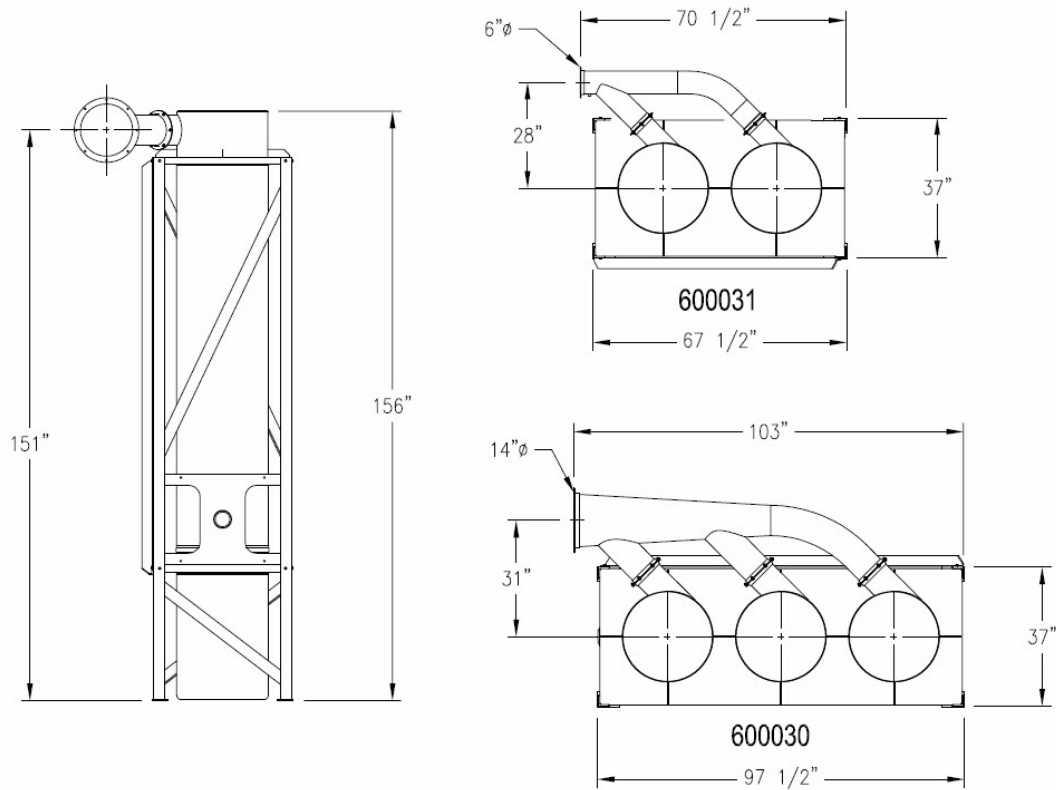
Bag Filters work by allowing dirty air to enter the top inlet plenum and the cyclone style design starts to separate dust from air stream. Larger particulate and dust fall and settle in catch bag on the bottom. The long bag is typically the filter, and the shorter bottom bag is the catch or collection bag. The entering air will spin to self clean the filter bag which eliminates the need for compressed air or pulsing. Optional manual or auto gates can be added to the bag inlets for bag cleanout if uninterrupted service is required.

Bag filter units are suitable for textiles, paper, tobacco, wood, plastics, agricultural & rubber dust.

SME
STEIMEL METAL FAB, LLC.

Hamilton, OH (513) 616-8647
Steimelmetalfab.com

BAG COLLECTION FILTER UNITS



MODEL	FILTER CAPACITY CFM
600031	2,000
600030	3,000

Standard sizes are listed—special sizes available upon request.
 All models are available with optional manual or auto inlet blast gates.
 Units have standard 24" diameter x 108" long bags.

Options

- Hopper collection bottom for automatic waste removal.
- Bags can be enclosed for special applications
- Available with optional auto-gates for clean-out when unit is in service for uninterrupted operation

SME
STEIMEL METAL FAB, LLC.

Hamilton, OH (513) 616-8647

Steimelmetalfab.com