

AUTOMATIC HIGH PRESSURE BLAST GATE

Features

Sizes 4" through 16" diameter available

Cast aluminum housing, with a 3" overall flange width

Self cleaning design.
Rated up to 50" W.G.

Rated up to 250°F

Optional

Can be provided with optional read switches to indicate gate position

Power Requirements

115VAC or 24VDC

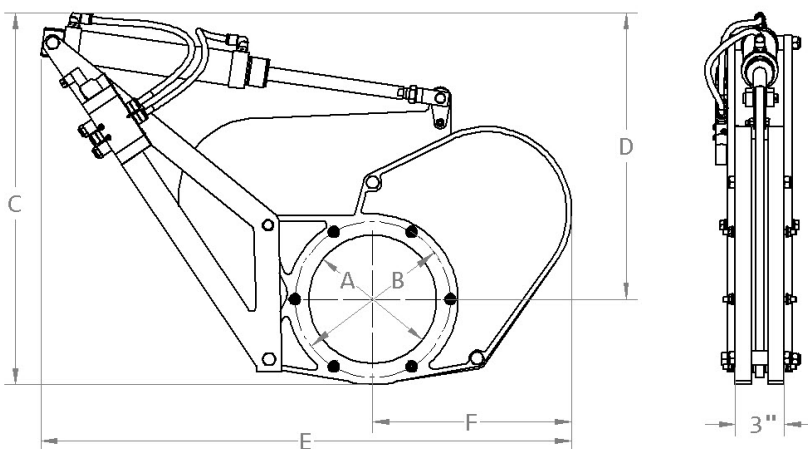
70 PSI compressed air supply

Available Services

- System Integration
- Industrial Ventilation
- Material Handling
- Power & Controls
- Manufacturing

For more information on any of our products or services - please visit us on the Web at:

www.steimelmetalfab.com



MODEL	A	B	C	D	E	F
620021	4"	5-5/16"	13"	10"	22"	7"
620040	6"	7-5/16"	15"	11"	27"	9"
620120	8"	9-9/16"	23"	18"	33"	12"
620060	10"	11-1/2"	24"	17"	40"	16"
620080	12"	14"	28"	20"	45"	18"
620180	14"	16"	35"	26"	52"	22"
620100	16"	18"	37"	27"	56"	23"

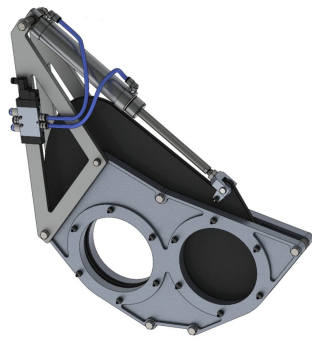
SME
STEIMEL METAL FAB, LLC.

Hamilton, OH (513) 616-8647

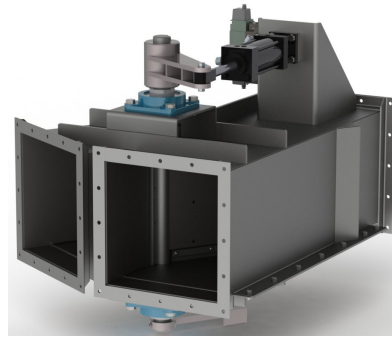
Steimelmetalfab.com



**HIGH PRESSURE
BLAST GATES**



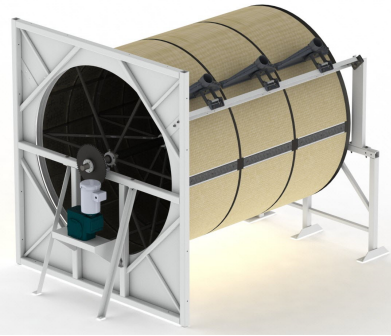
**HIGH PRESSURE
ALTERNATING GATES**



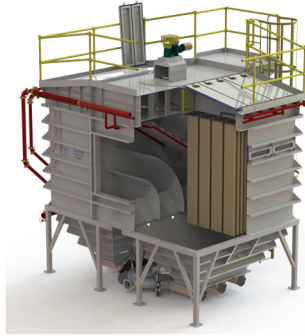
**DIVERTER
VALVES**



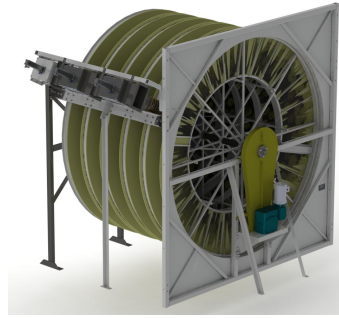
**BALANCING
SLIDE GATES**



**VACU-DRUM
FILTERS**



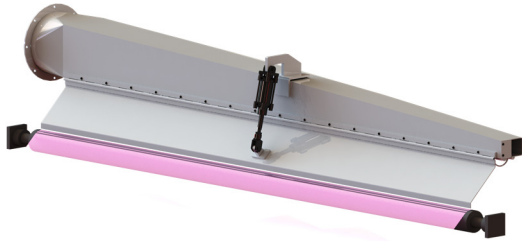
**REVERSE AIR
CLEANING FILTERS**



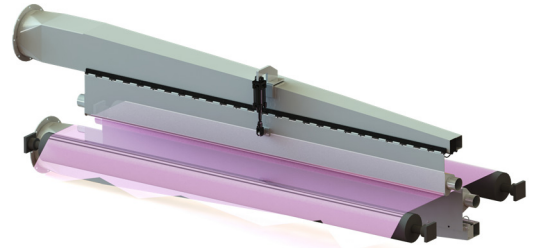
**CIRCLE-VEE
FILTERS**



**BAG
FILTERS**



**DUST COLLECTION
HOODS**



**WEB CLEANING
COLLECTION SYSTEMS**



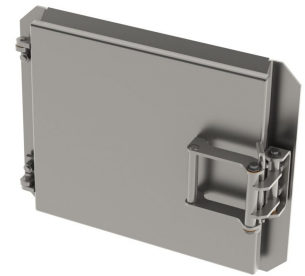
**CIRCULAR
PULSE JET FILTERS**



**PRE-SEPARATOR
FILTERS**



**OVERHEAD OSCILLATING
AIR CIRCULATION FANS**



**QUICK OPENING
ACCESS DOORS**

SME
STEIMEL METAL FAB, LLC.

Hamilton, OH (513) 616-8647
Steimelmetalfab.com