

# CENTRAL VACUUM CLEANING DROP OUT BOXES

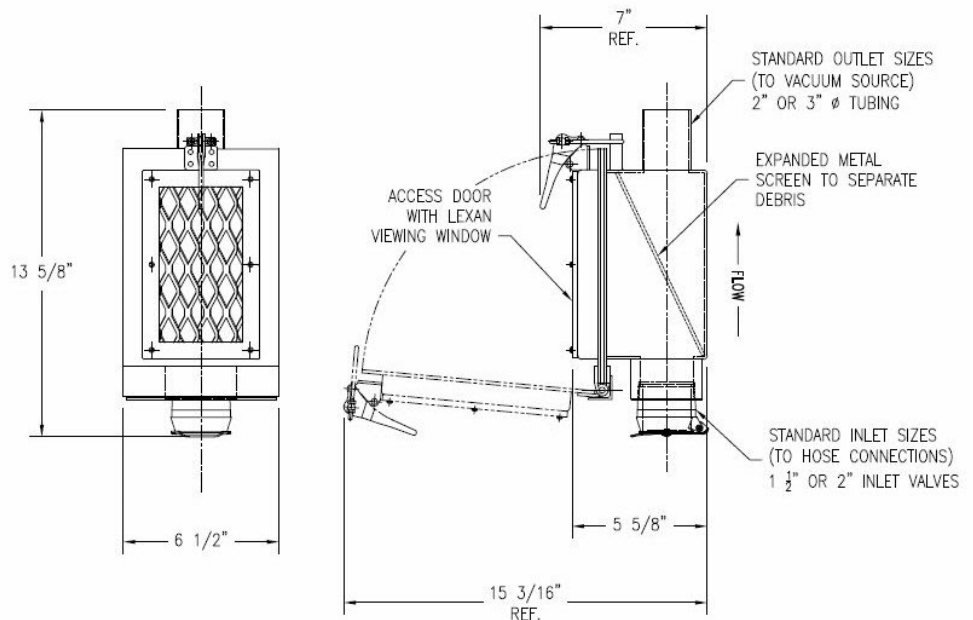
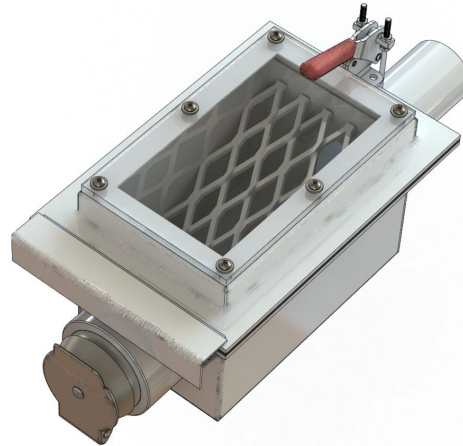
## Features

Standard vacuum system hose connection sizes 1 1/2" or 2" diameter

The screen may be periodically cleaned out via the quick-latching drop down access door with viewing window

Prevent damaging vacuum equipment by locating a drop out box in each collection branch (hose connection point)

Standard CVC drop out boxes are constructed of painted carbon steel. Stainless steel boxes are available as an option.



## Available Services

- System Integration
- Industrial Ventilation
- Material Handling
- Power & Controls
- Manufacturing

For more information on any of our products or services - please visit us on the Web at:

[www.steimelmetalfab.com](http://www.steimelmetalfab.com)

VACUUM SYSTEM DROP OUT BOXES	MODEL #
2" OD TUBE OUTLET x 1 1/2" HOSE INLET, CS	690100
3" OD TUBE OUTLET x 2" HOSE INLET, CS	690115
2" OD TUBE OUTLET x 1 1/2" HOSE INLET, SS	690145
3" OD TUBE OUTLET x 2" HOSE INLET, SS	690150

Central vacuum cleaning (CVC) drop out boxes are to be located at the end of each collection branch, the drop out box will prevent solid debris from damaging vacuum equipment by using an internal screen to prohibit the debris from passing onto the equipment.

**SME**  
STEIMEL METAL FAB, LLC.

Hamilton, OH (513) 616-8647

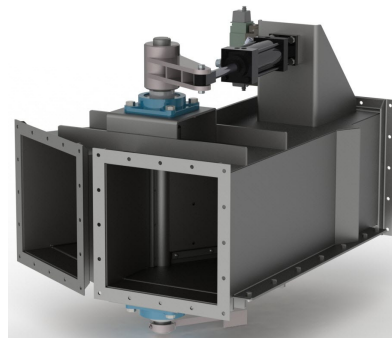
[Steimelmetalfab.com](http://Steimelmetalfab.com)



HIGH PRESSURE  
BLAST GATES



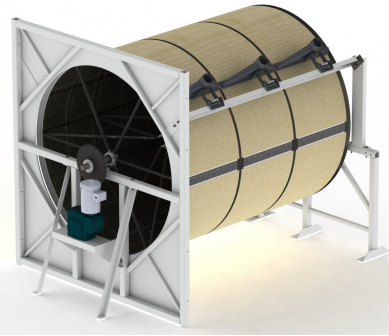
HIGH PRESSURE  
ALTERNATING GATES



DIVERTER  
VALVES



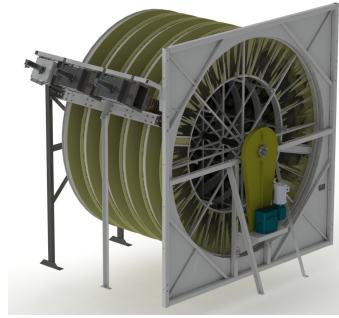
BALANCING  
SLIDE GATES



VACU-DRUM  
FILTERS



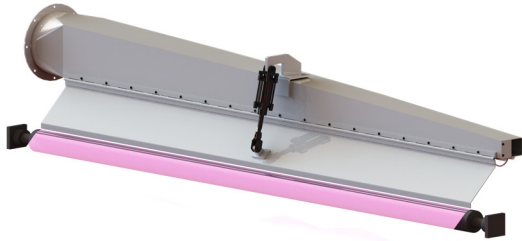
REVERSE AIR  
CLEANING FILTERS



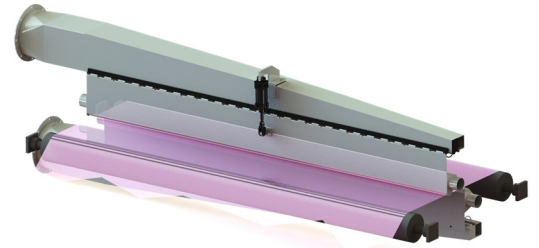
CIRCLE-VEE  
FILTERS



BAG  
FILTERS



DUST COLLECTION  
HOODS



WEB CLEANING  
COLLECTION SYSTEMS



CIRCULAR  
PULSE JET FILTERS



PRE-SEPARATOR  
FILTERS



OVERHEAD OSCILLATING  
AIR CIRCULATION FANS



QUICK OPENING  
ACCESS DOORS

**SME**  
STEIMEL METAL FAB, LLC.

Cincinnati, OH (513) 330-3465