

Features

Sizes 8" thru 32" square
(Even Sizes)

Heavy duty, high duty cycle design

Flush blade seal; Low leakage

Pneumatic cylinder actuated & externally mounted bearings

Visual flag for blade position indication

Removable access panel for maintenance

-15" W.G. (-3.74 k pa)
Design Rating

Mountable in any position

Power Requirements

24V Standard

70 PSI compressed air supply

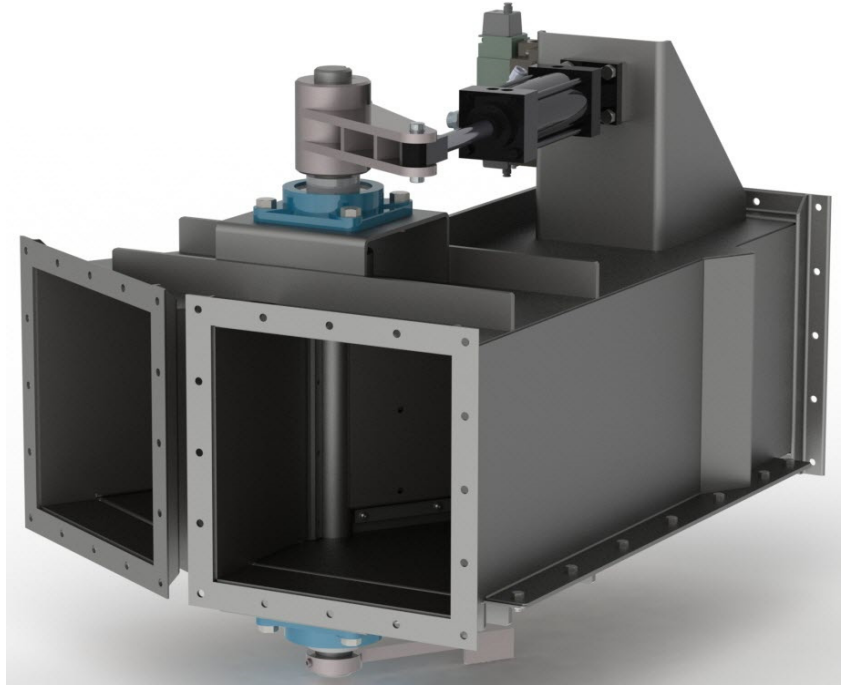
Available Services

- System Integration
- Industrial Ventilation
- Material Handling
- Power & Controls
- Manufacturing

For more information on any of our products or services - please visit us on the Web at:

www.steimelmetalfab.com

AUTOMATIC AIR DIVERTER VALVE



Our diverters are designed to handle applications where there is dust or fiber loading in the air stream. The pneumatic actuator provides full stroke blade positioning, diverting air from one side to the other. Typical applications include diverting air from on-line hoods to an air bleed to maintain conveying velocity in the duct network in the event of a sheet break or thread-up operation.

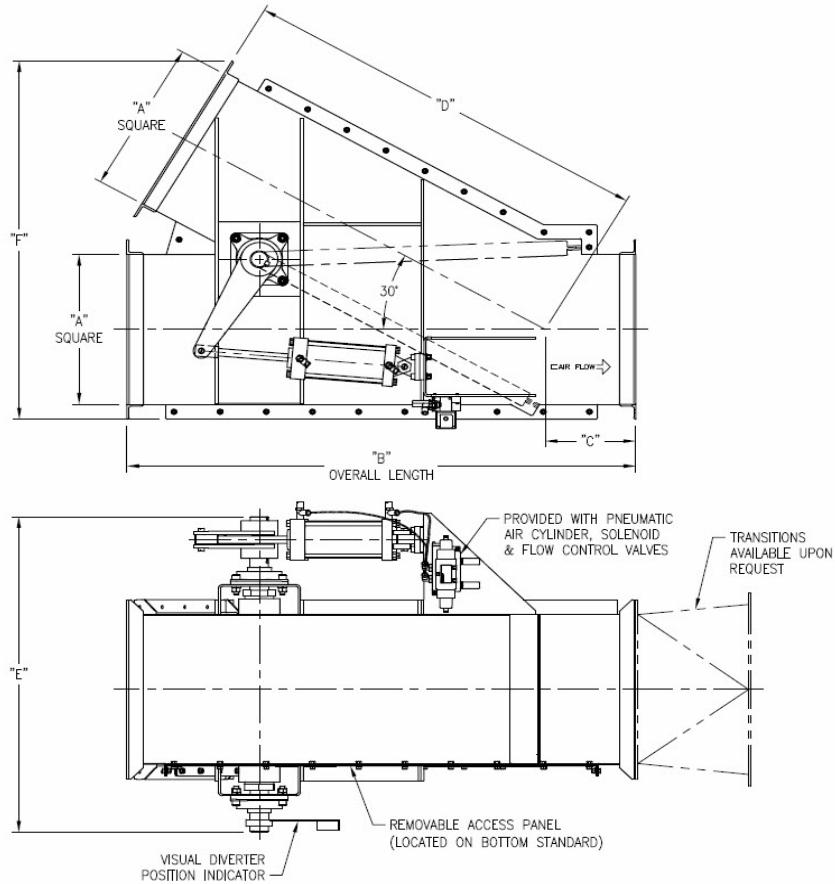
Heavy duty galvanized steel construction with air cylinder actuated gate. Polyurethane seals with a 40 durometer rating. Mountable in either horizontal or vertical orientation. Standard unit is provided with a 24V solenoid and adjustable air cylinder flow control valves.

Optional inlet transitions and air bleed screens can be provided upon request.

SME
STEIMEL METAL FAB, LLC.

Hamilton, OH (513) 616-8647
Steimelmetalfab.com

AUTOMATIC AIR DIVERTER VALVE



MODEL	A	B	C	D	E	F	WEIGHT
510060	8"	28-1/2"	6-1/4"	22-1/4"	24-7/8"	22-3/4"	150 LBS
510061	10"	34"	6-1/2"	27-1/2"	27-7/8"	26-3/8"	215 LBS
510062	12"	40"	6-1/2"	34-1/8"	29-7/8"	31"	280 LBS
510001	14"	42"	7"	34-7/8"	34-3/8"	33-7/8"	395 LBS
510063	16"	45-3/4"	7"	38-5/8"	38-1/2"	37-3/4"	505 LBS
510064	18"	58-1/2"	7-5/8"	50-5/8"	38-1/2"	37-3/4"	600 LBS
510065	20"	62"	10-12"	51-1/2"	39-5/8"	48-1/4"	710 LBS
510066	22"	65-3/4"	11"	55"	44"	48-7/8"	790 LBS
510067	24"	70-1/2"	11"	60"	46"	56"	870 LBS
510068	26"	72-1/2"	11"	62-3/4"	49"	60"	1,100 LBS
510069	28"	78-1/4"	11"	68-1/4"	51"	64-5/8"	1,200 LBS
510070	30"	84"	11-1/4"	72-1/2"	54-1/2"	69"	1,300 LBS
510071	32"	91-5/8"	14-3/4"	77"	55"	72-1/2"	1,408 LBS

SME
STEIMEL METAL FAB, LLC.

Hamilton, OH (513) 616-8647
Steimelmetalfab.com