

OVERHEAD OSCILLATING AIR CIRCULATION FAN

Features

This direct ceiling mounted fan rotates at approximately four times an hour and oscillates vertically one time per minute distributing high velocity air over a large area.

This high velocity air prevents the accumulation of dust and light debris on light fixtures, ceilings, support steel, overhead structures, ducts and machinery. Multiple fans can be arrayed to offer coverage for an entire production area.

Designed for mounting to suitable existing beams or trusses.

Available in a variety of different voltages, stem heights and reversing or non reversing styles.

Available Services

- System Integration
- Industrial Ventilation
- Material Handling
- Power & Controls
- Manufacturing

For more information on any of our products or services - please visit us on the Web at:

Steimelmetalfab.com



<u>BASE FAN VOLTAGE/MODEL</u>	<u>MODEL #</u>
115V NON-REVERSING	610111
115V REVERSING	610110
220V NON-REVERSING	610060
220V REVERSING	610062
400V NON-REVERSING	610101
400V REVERSING	610100
400V HIGH TEMP NON-REVERSING	610106
480V NON-REVERSING	610001
480V REVERSING	610061
480V HIGH TEMP NON-REVERSING	610071
575V NON-REVERSING	610090

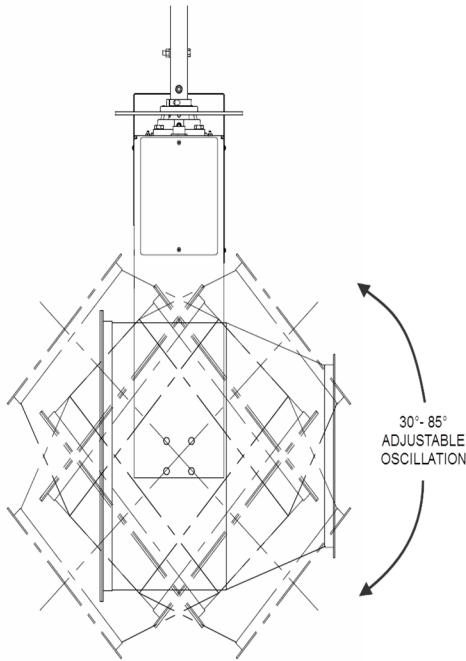
<u>STEM MODEL</u>	<u>MODEL #</u>
STANDARD	610030
SHORT	610048

*When ordering, please specify both fan model number and stem model number required.

SME
STEIMEL METAL FAB, LLC.

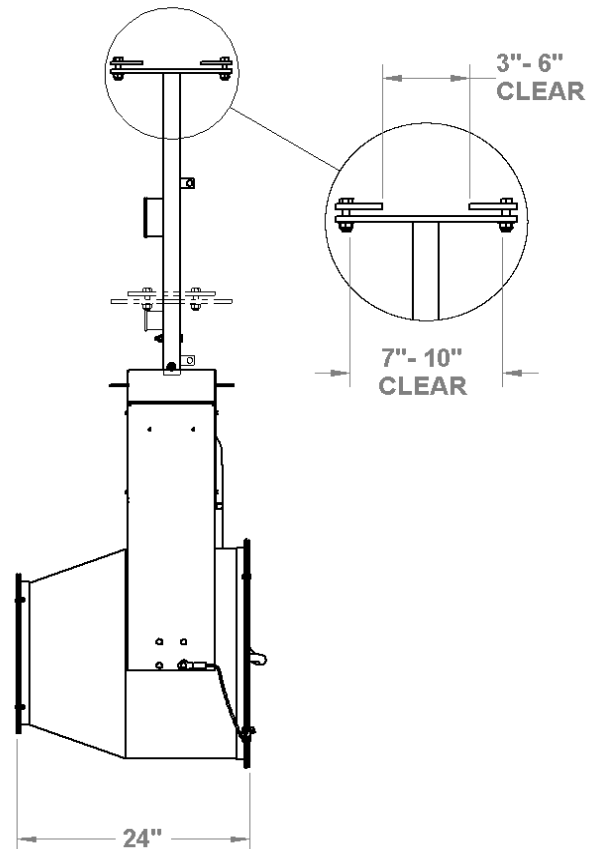
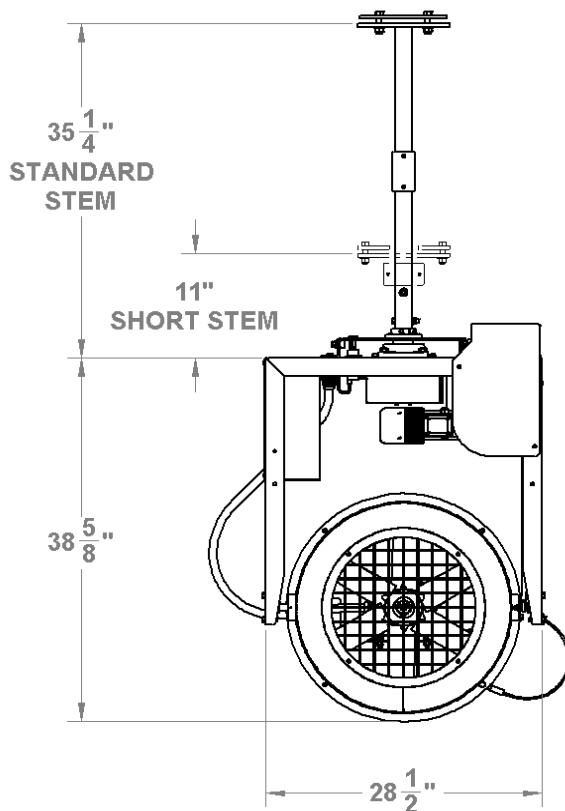
Hamilton, OH (513) 616-8647
Steimelmetalfab.com

OVERHEAD OSCILLATING AIR CIRCULATION FAN



- Designed for mounting to suitable existing beams or trusses.
- Effective 40 foot radius (12m) fan range.
- Powder-coated steel construction with polypropylene (PPG) fan blade.
- Adjustable up/down oscillation.
- Adjustable rotation. *(with reversing option)*
- Bearings on pivot and oscillation points.
- Heavy duty construction. *(Total Wt. ~200#)*
- Air flow = 3500cfm. *(5950 m³/hr)*

ROTATES UP TO 360°
(OPTIONAL LIMITED ROTATION)



SME
STEIMEL METAL FAB, LLC.

Hamilton, OH (513) 616-8647
Steimelmetalfab.com