

Features

Heavy duty frame construction

Stationary collection nozzle

Heavy duty direct drive system

Screen guide rollers for stability and alignment

Shipped one piece fully assembled

Options

Compressed air back blow nozzles to assist cleaning the screen

Various screen options

Available Services

- System Integration
- Industrial Ventilation
- Material Handling
- Power & Controls
- Manufacturing

For more information on any of our products or services - please visit us on the Web at:

www.steimelmetalfab.com

AUTOMATIC SELF CLEANING PRE SEPARATOR



Our Pre Separator is an automatic self cleaning rotating screen with a stationary nozzle that separates larger particles & heavy dust loads from the air stream.

- Typically used as a pre-filter or first-stage filtration.
- Frame is constructed from heavy-duty square tubing.
- Quick screen replacement
- Various screen & perforated filter options

SME
STEIMEL METAL FAB, LLC.

Hamilton, OH (513) 616-8647

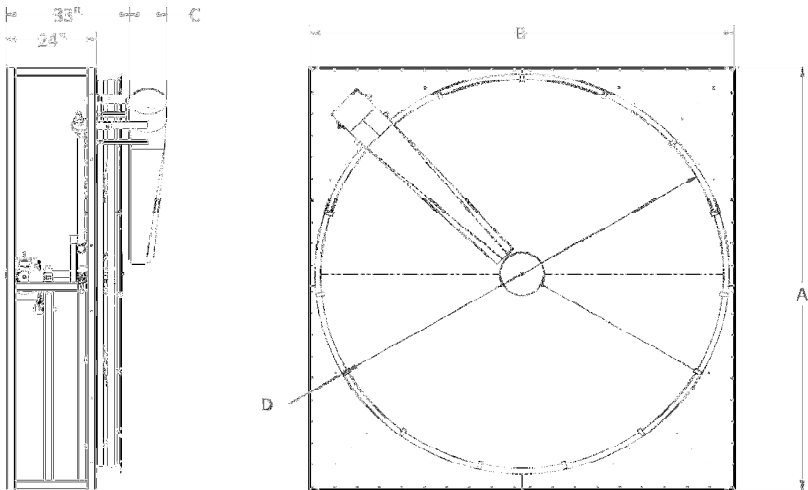
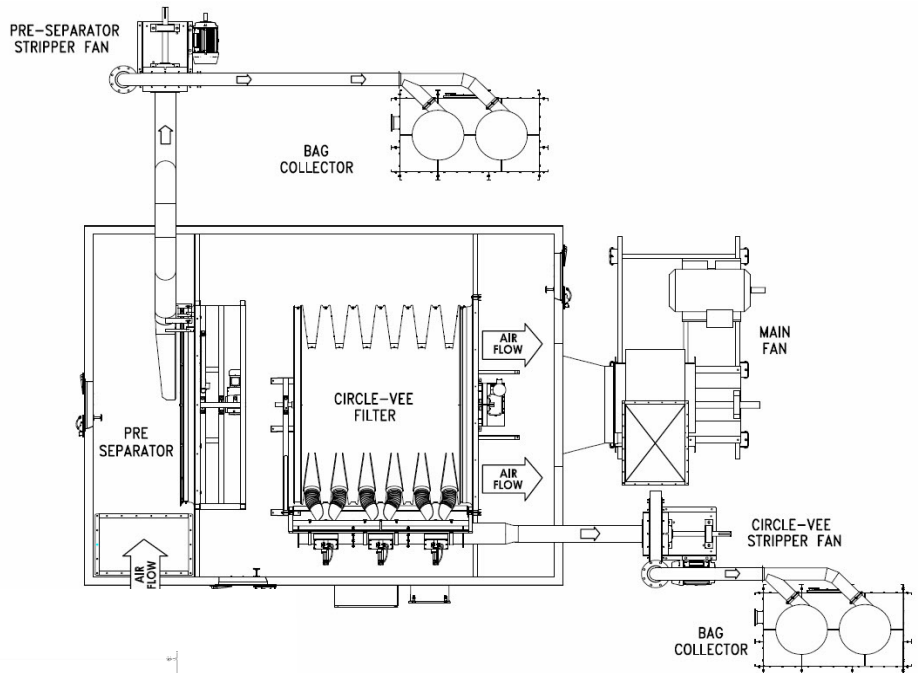
Steimelmetalfab.com

AUTOMATIC SELF CLEANING PRE SEPARATOR

Pre Separator Construction

The Pre Separator frame is constructed from 2 1/2" heavy duty square steel tubing. The screen is fabricated from rolled angle iron with 2" x 1/4" flat bar spokes. The filter screen is woven polyester material with a draw band sewn around the circumference.

- Nozzles: fabricated from steel.
- Gear drive: Heavy duty gear box driven by 1 HP gear motor
- Seal: One part polyester heavy duty felt
- Drive Shaft: Heavy duty 1 15/16" solid steel with pillow block bearings at each end
- Filter Screens: Selected for specific application. Contact sales for recommendations.



Pre Separator Applications

- Textiles
- Paper
- Wood
- Tobacco
- Plastics
- Furniture
- Agricultural

SIZE	MODEL NO.	FILTER CAPACITY CFM	A HEIGHT	B WIDTH	C DIA.	D DIA.
PS50	650300	10,000 - 15,000	5'-9"	5'-6"	8"	59"
PS60	650250	15,000 - 20,000	6'-9"	6'-6"	8"	71"
PS70	650140	20,000 - 30,000	7'-9"	7'-6"	10"	83"
PS80	650100	30,000 - 40,000	8'-9"	8'-6"	10"	95"
PS90	650000	40,000 - 50,000	9'-9"	9'-6"	10"	107"
PS100	650200	50,000 - 60,000	10'-9"	10'-6"	10"	120"

SME
STEIMEL METAL FAB, LLC.

Hamilton, OH (513) 616-8647
Steimelmetalfab.com