

Features

Sizes 2" through 28"
Diameter

Minimal external leakage.
Galvanized Steel
Construction standard.
(other materials available up-
on request)

Blade stop to prevent slide
from inadvertently being
pulled out or slipping in
certain orientations.

60° blade angle reduces
Possibility of material
build-up on blade.

Improved air flow based on
angled gate orientation.

Cannot be completely closed.
Minimizes the possibility of
duct work collapse due to
high vacuum levels.

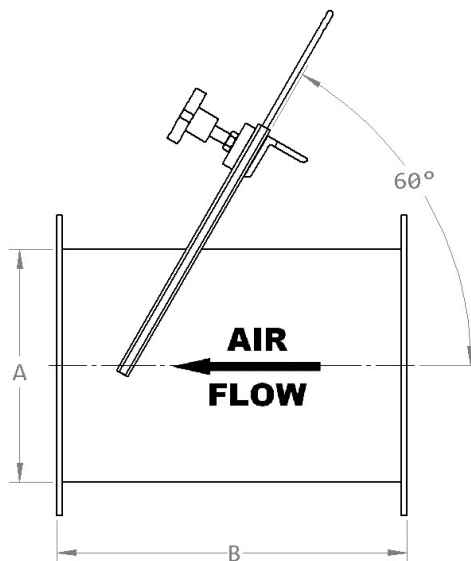
Available Services

- System Integration
- Industrial Ventilation
- Material Handling
- Power & Controls
- Manufacturing

For more information on
any of our products or
services - please visit us on
the Web at:

www.steimelmetalfab.com

CLEAN DESIGN BALANCE SLIDE GATE



Duct Size (A)	B
3" to 8"	9"
9" to 18"	15"
20" to 30"	18"

MODEL	SIZE DIAMETER
500320	2"
500306	3"
500292	4"
500278	5"
500166	6"
500144	7"
500239	8"
500228	9"
500001	10"
500012	11"
500023	12"
500034	13"
500045	14"
500056	15"
500067	16"
500078	17"
500089	18"
500100	19"
500111	20"
500122	21"
500133	22"
500345	23"
500155	24"
500359	25"
500177	26"
500188	27"
500267	28"

SME
STEIMEL METAL FAB, LLC.

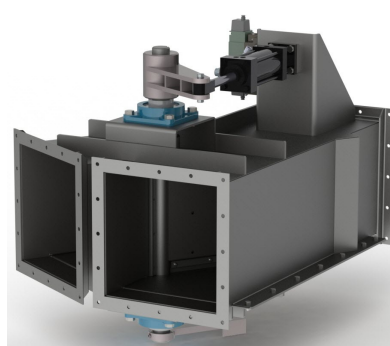
Hamilton, OH (513) 616-8647
Steimelmetalfab.com



HIGH PRESSURE
BLAST GATES



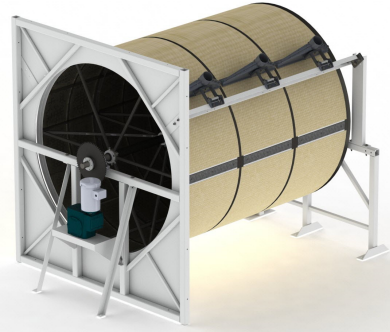
HIGH PRESSURE
ALTERNATING GATES



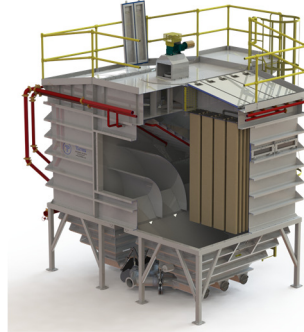
DIVERTER
VALVES



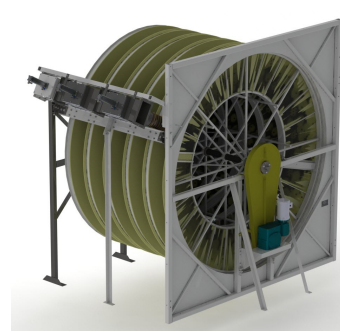
BALANCING
SLIDE GATES



VACU-DRUM
FILTERS



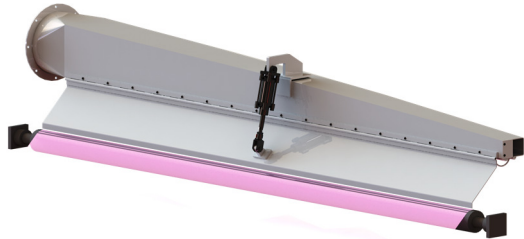
REVERSE AIR
CLEANING FILTERS



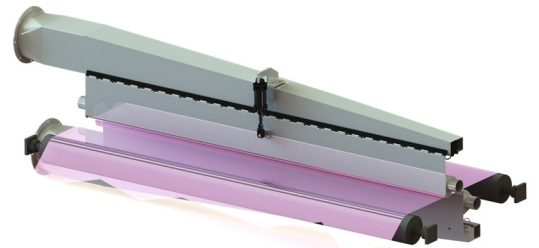
CIRCLE-VEE
FILTERS



BAG
FILTERS



DUST COLLECTION
HOODS



WEB CLEANING
COLLECTION SYSTEMS



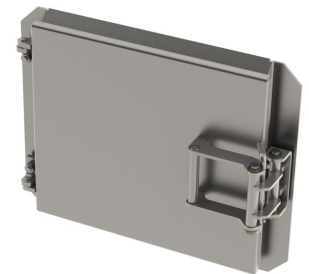
CIRCULAR
PULSE JET FILTERS



PRE-SEPARATOR
FILTERS



OVERHEAD OSCILLATING
AIR CIRCULATION FANS



QUICK OPENING
ACCESS DOORS

SME
STEIMEL METAL FAB, LLC.

Hamilton, OH (513) 616-8647

Steimelmetalfab.com